



HENGWEI MICROWAVE

DOUBLE & TRIPLE -BALANCED MIXER

HWM82/82C

- ◆ LO 、 RF: 2 TO 18 GHz
- ◆ IF: 0.03 TO 5GHz
- ◆ LO DRIVE : +10dBm(nominal)
- ◆ WIDE BANDWIDTH



Guaranteed Specification^{1,2}

Characteristics	Min.	Typ.	Max.	Test Conditions
SSB Conversion Loss and SSB Noise Figure		7.5dB 8.0dB	9.0dB 10.5dB	$f_R=2$ to 18 GHz $f_L=2$ to 18 GHz $f_I=0.03$ to 2 GHz $f_R=2$ to 18 GHz $f_L=2$ to 18 GHz $f_I=2$ to 5 GHz
Isolation L to R L to I	16dB 18dB 20dB	20dB 30dB 30dB		$f_L=2$ to 3 GHz $f_L=3$ to 18 GHz $f_L=2$ to 18 GHz
Conversion Compression			1.0dB	f_R Level+6 dBm f_L Level+10 dBm
Third-Order Input Intercept Point		+18dBm +19dBm		$f_{R1}=6.00$ GHz, $f_{R2}=6.01$ GHz both at -3dBm $f_L=8$ GHz at +10dBm $f_{R1}=15.00$ GHz, $f_{R2}=15.01$ GHz both at -3dBm $f_L=18.0$ GHz at +10dBm
VSWR R L I		2 2 2		$f_R=2$ to 18 GHz $f_L=2$ to 18 GHz $f_I=0.03$ to 5 GHz

Notes:

1. Measured in a 50-ohm system with nominal LO drive and downconverter application only, unless otherwise specified.

2. Typical values are measured at +25°C.



HENGWEI MICROWAVE

DOUBLE & TRIPLE-BALANCED MIXER

HWM82/82C

Absolute Maximum Ratings

Operating Temperature: -54 °C to +100 °C

Storage Temperature: -65 °C to +100 °C

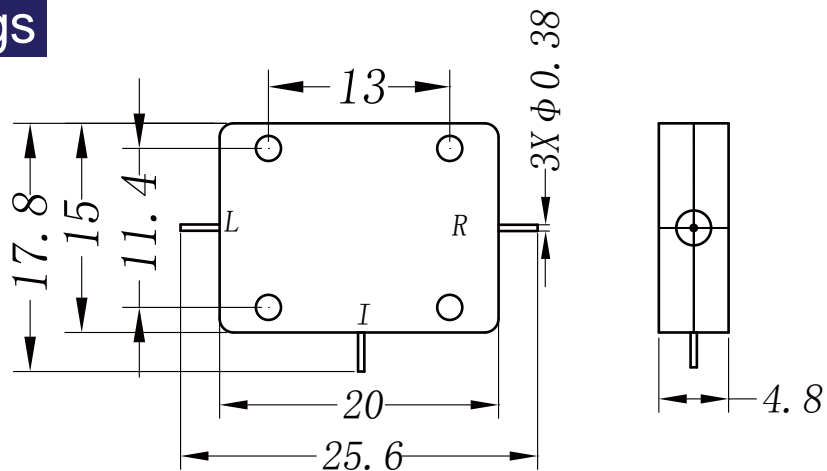
Peak Input Power: +26dBm max. at +25 °C +23dBm max. at +100 °C

Peak Input Current at 25 °C: 100mA DC

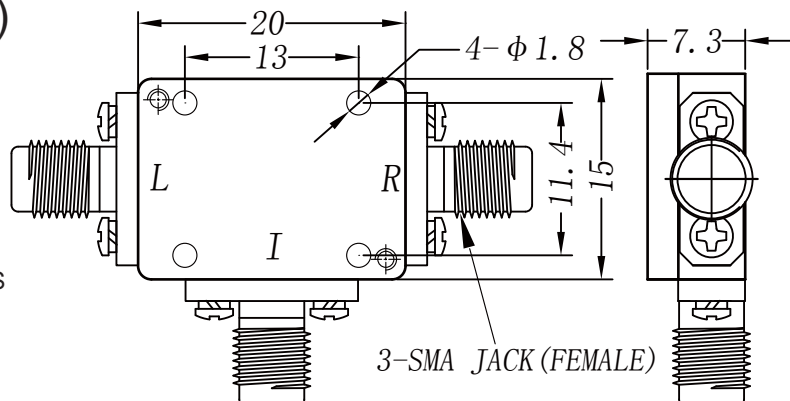
Weight M82: 6 grams(0.21 oz.) max.
M82C: 30grams(1.6 oz.) max.

Outline Drawings

M82
(VERSAPAC)



M82C
(CONNECTORIZED)



DIMENSIONS ARE IN MILLIMETERS