



HENGWEI MICROWAVE

DOUBLE & TRIPLE -BALANCED MIXER

HWM7410/7410C

- ◆ LO : 4 TO 18 GHz
- ◆ RF: 6 TO 18 GHz
- ◆ IF: DC TO 3 GHz
- ◆ LO DRIVE : +10dBm(nominal)
- ◆ MICROSTRIP INTERFACE



Guaranteed Specification^{1,2}

Characteristics	Min.	Typ.	Max.	Test Conditions
SSB Conversion Loss and SSB Noise Figure		6.0dB 7.0dB	8.0dB 9.0dB	$f_R = 6$ to 15 GHz $f_L = 4$ to 16 GHz $f_I = 30$ to 3000 MHz $f_R = 14$ to 18 GHz $f_L = 12$ to 18 GHz $f_I = 30$ to 3000 MHz
Isolation L - R L - I	23dB 18dB 20dB	36dB 32dB 35dB		$f_L = 4$ to 16 GHz $f_L = 16$ to 18 GHz $f_L = 4$ to 16 GHz
Conversion Compression			1.0dB	f_R Level+4 dBm f_L Level+10 dBm
Third-Order Input Intercept Point		+14dBm		$f_{R1} = 13.00$ GHz, $f_{R2} = 13.01$ GHz both at -6 dBm $f_L = 14$ GHz at +10 dBm
VSWR R L I		2 2 2		$f_R = 2$ to 18 GHz $f_L = 2$ to 18 GHz $f_I = 0.03$ to 5 GHz

Notes:

1. Measured in a 50-ohm system with nominal LO drive and downconverter application only, unless otherwise specified.
2. The I-Port frequency range extends to DC for phase detection, pulse modulation, or attenuator applications; I-Port VSWR degrades from a 50-ohm system at low IF frequencies.



HENGWEI MICROWAVE

DOUBLE & TRIPLE-BALANCED MIXER

HWM7410/7410C

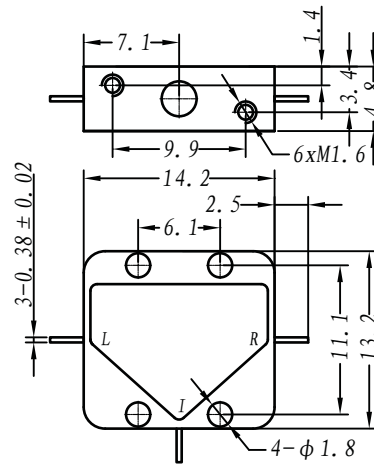
Absolute Maximum Ratings

Operating Temperature: -54 °C to +100 °C
Storage Temperature: -65 °C to +100 °C
Peak Input Power: +23 dBm max at +25 °C
Peak Input Current at 25 °C: 100 mA DC

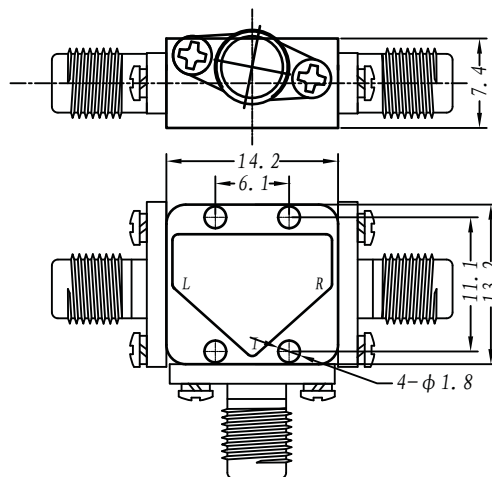
Weight M7410: 4.5 grams(0.16 oz.) max.
M7410C: 11 grams(0.39 oz.) max.

Outline Drawings

M7410



M7410C



DIMENSIONS ARE IN MILLIMETERS