



**FEATURE:**

- ◆ Mature technology, stable and reliable performances;
- ◆ Small size, flexible and multiform structure;

**SPECIFICATIONS:**

ITEMS	Parameters
LO Frequency	2-26.5GHz
RF Frequency	2-26.5GHz
IF Frequency	0.5-20GHz
Conversion Loss	8dB
Converter Compression	+6dBm
LO - RF isolation	30dB Typ.
LO- IF isolation	30dB Typ.
RF- IF isolation	25dB Typ.
IP1	20dBc
LO Power	10dBm

**ENVIRONMENTAL RATINGS:**

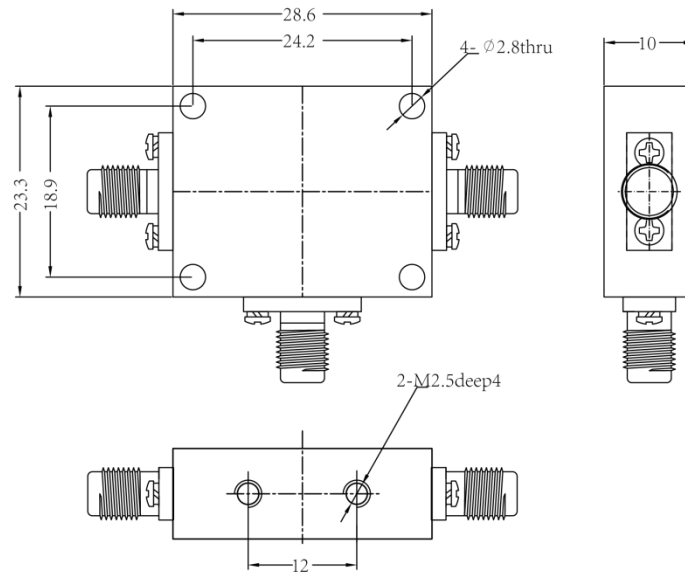
Parameter	Min	Typical	Max	Units
Operating Temperature	-50		+85	°C
Non-operating Temperature	-55		+125	°C
Relative humidity		95		%
Altitude	10000		30000	feet
Shock / Vibration(MIL-STD-810F)		Airborne		



HENGWEI MICROWAVE

HWM226

OUTLINE DRAWING(mm):



hp03